



(19) **United States**

(12) **Patent Application Publication**

Sullivan et al.

(10) **Pub. No.: US 2003/0025416 A1**

(43) **Pub. Date: Feb. 6, 2003**

(54) **GENERATORS AND TRANSFORMERS WITH TOROIDALLY WOUND STATOR WINDING**

Publication Classification

(76) Inventors: **Steven L. Sullivan**, Odessa, FL (US);
David L. Goulet, Clearwater, FL (US);
Donald Hofmann, St. Petersburg, FL (US)

(51) **Int. Cl.⁷** **H02K 19/00; H02K 21/00**
(52) **U.S. Cl.** **310/162**

Correspondence Address:
KNOBLE & YOSHIDA
EIGHT PENN CENTER
SUITE 1350, 1628 JOHN F KENNEDY BLVD
PHILADELPHIA, PA 19103 (US)

(57) **ABSTRACT**

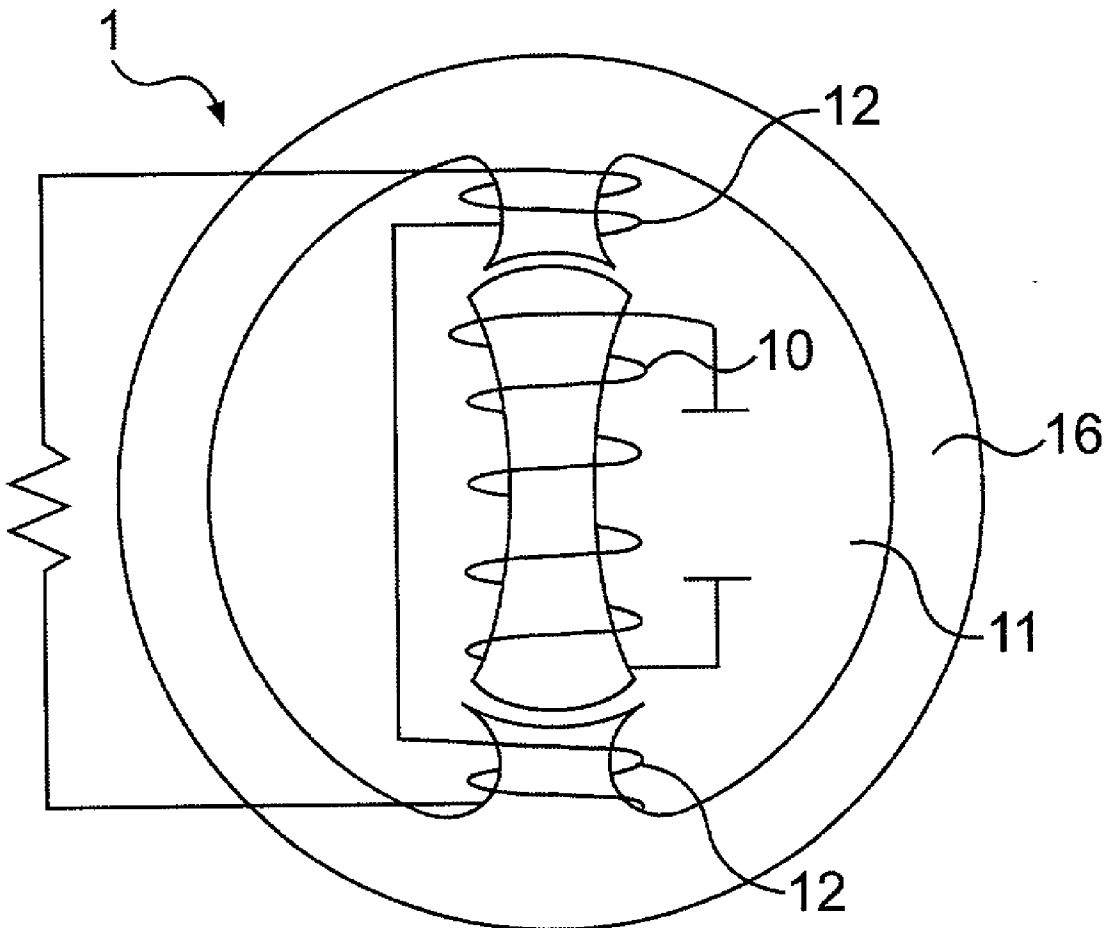
Electrical generators are provided with toroidally wound stator windings electrically connected in series; a high permeability stator core, preferably an amorphous magnetic alloy material, glassy metal or HYPERCO™ 50 laminations; and a rotor. The toroidally wound stator coils and the stator core trap essentially all of the flux fields generated by the stator coils within the stator core. Since there is essentially no magnetic field leaving the stator, there is essentially no flux field interaction with the field generated by the rotor. The reduction of flux field interaction also reduces counter torque.

(21) Appl. No.: **10/171,262**

(22) Filed: **Jun. 13, 2002**

Related U.S. Application Data

(62) Division of application No. 09/503,188, filed on Feb. 14, 2000, now abandoned.



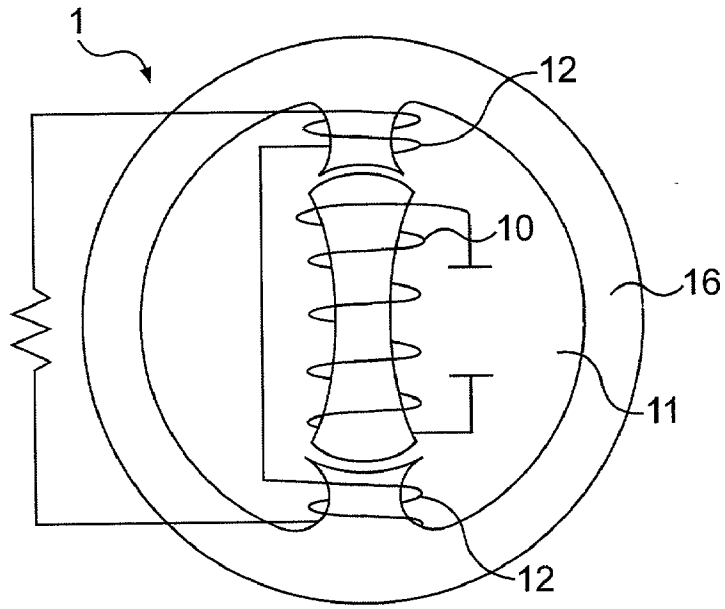


FIG. 1
(PRIOR ART)

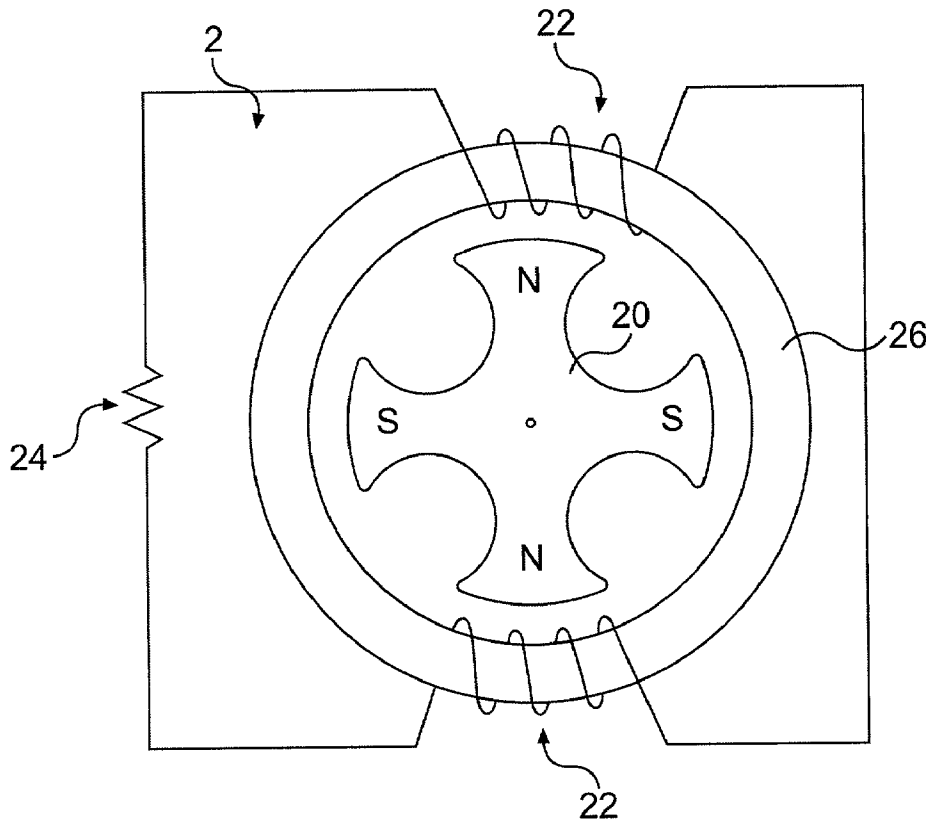


FIG. 2A

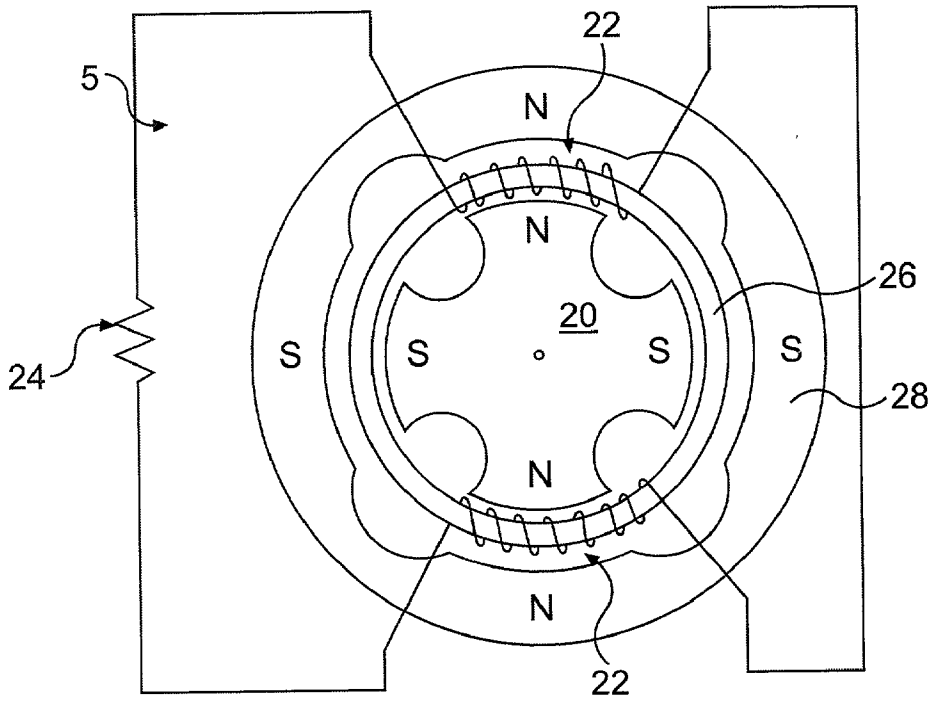


FIG. 2B

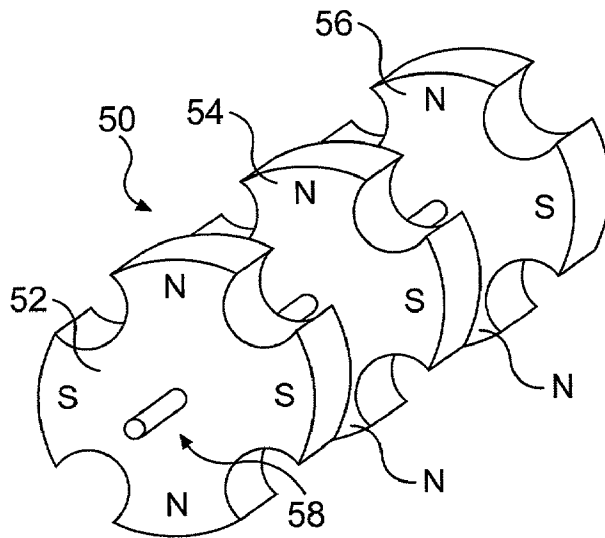


FIG. 5

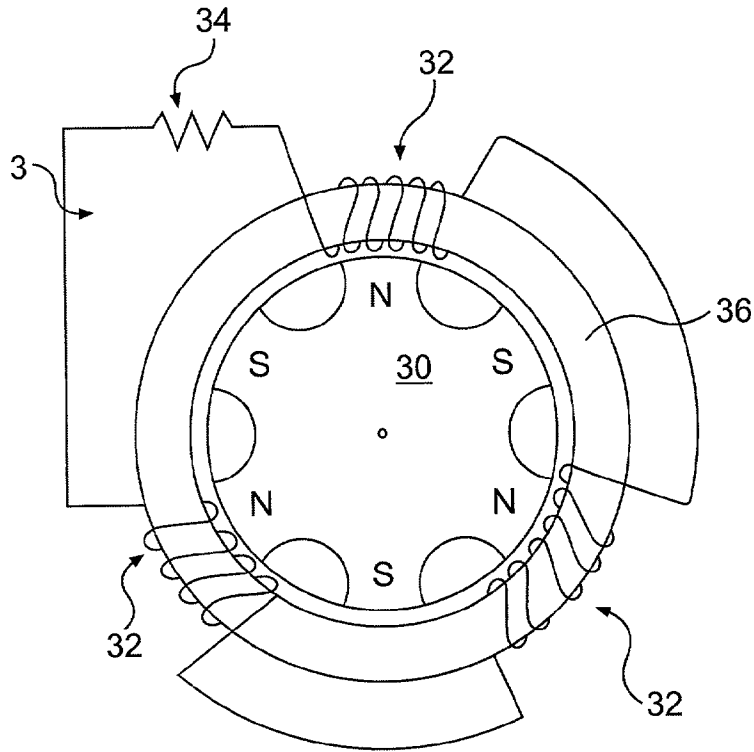


FIG. 3

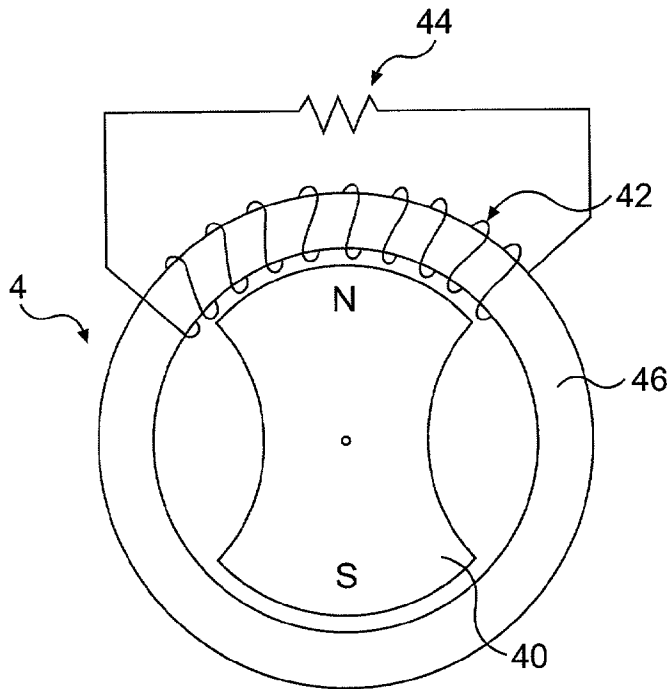


FIG. 4

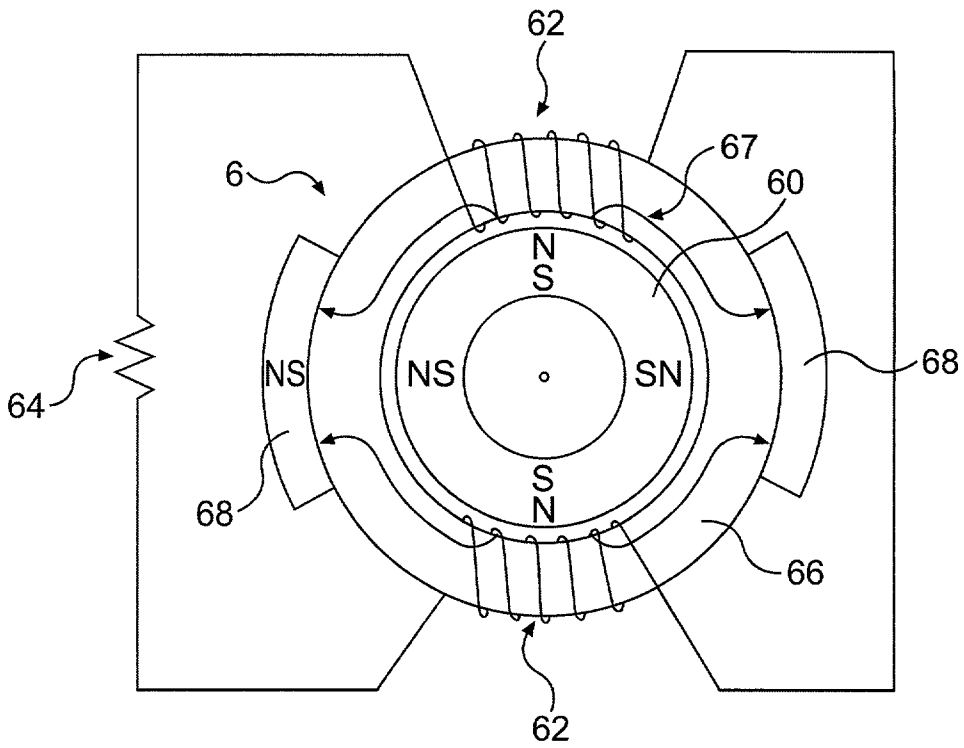


FIG. 6

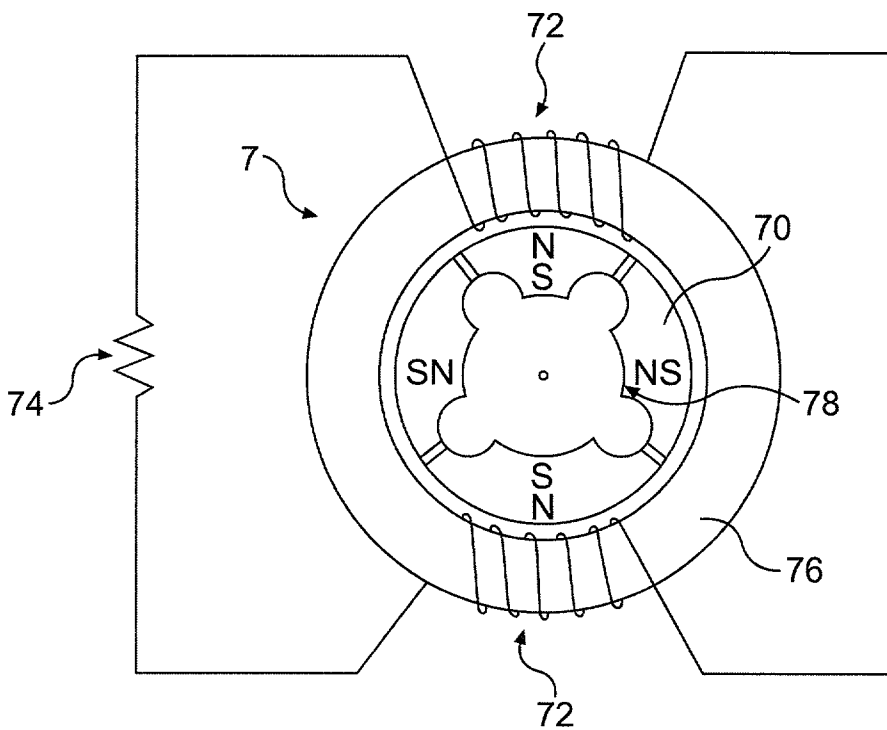


FIG. 7

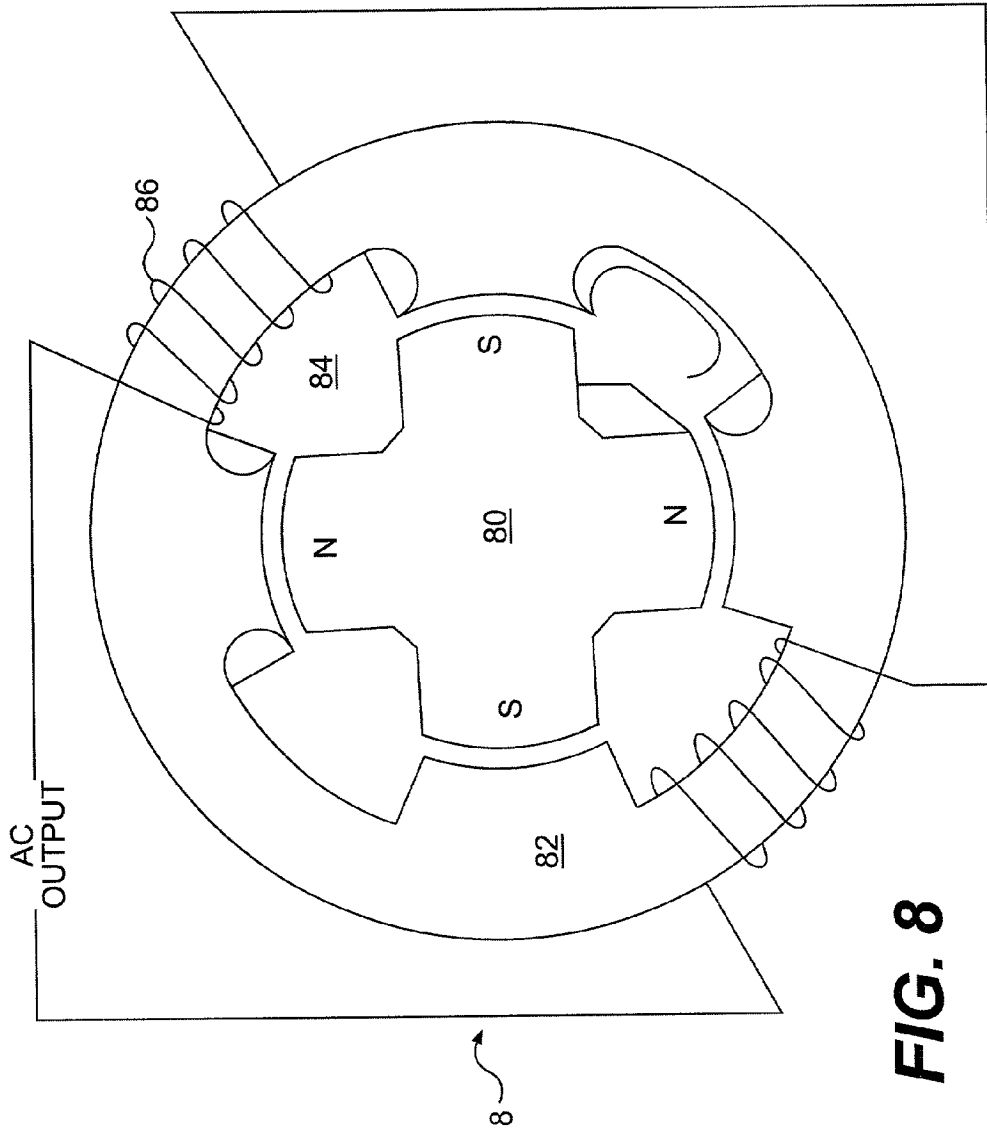


FIG. 8

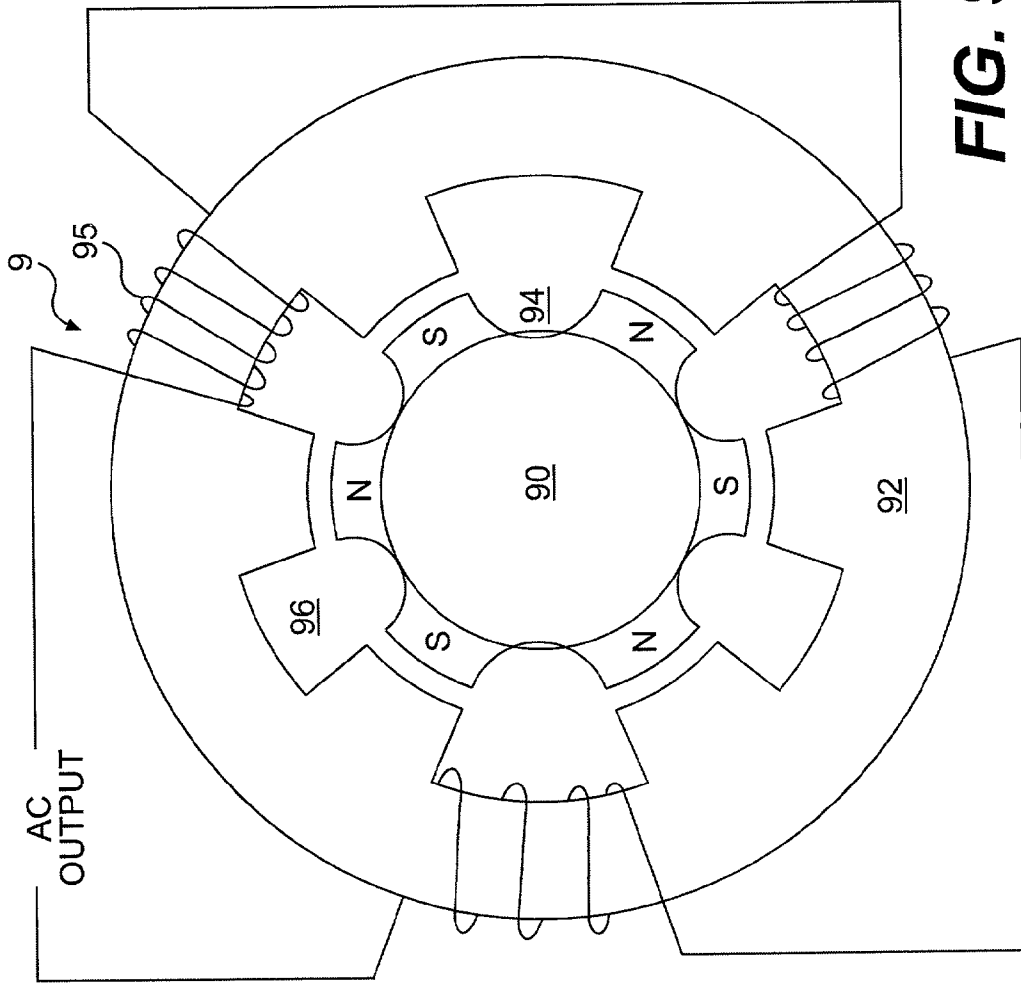


FIG. 9

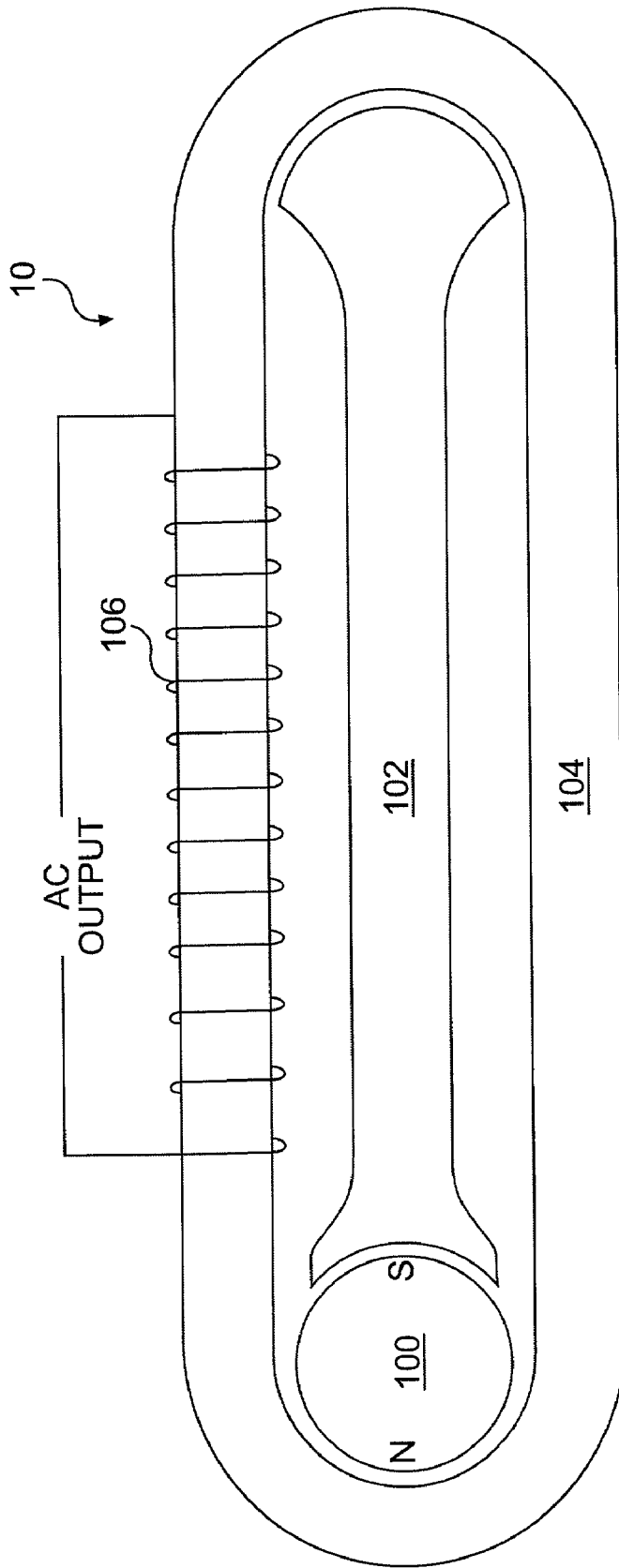


FIG. 10

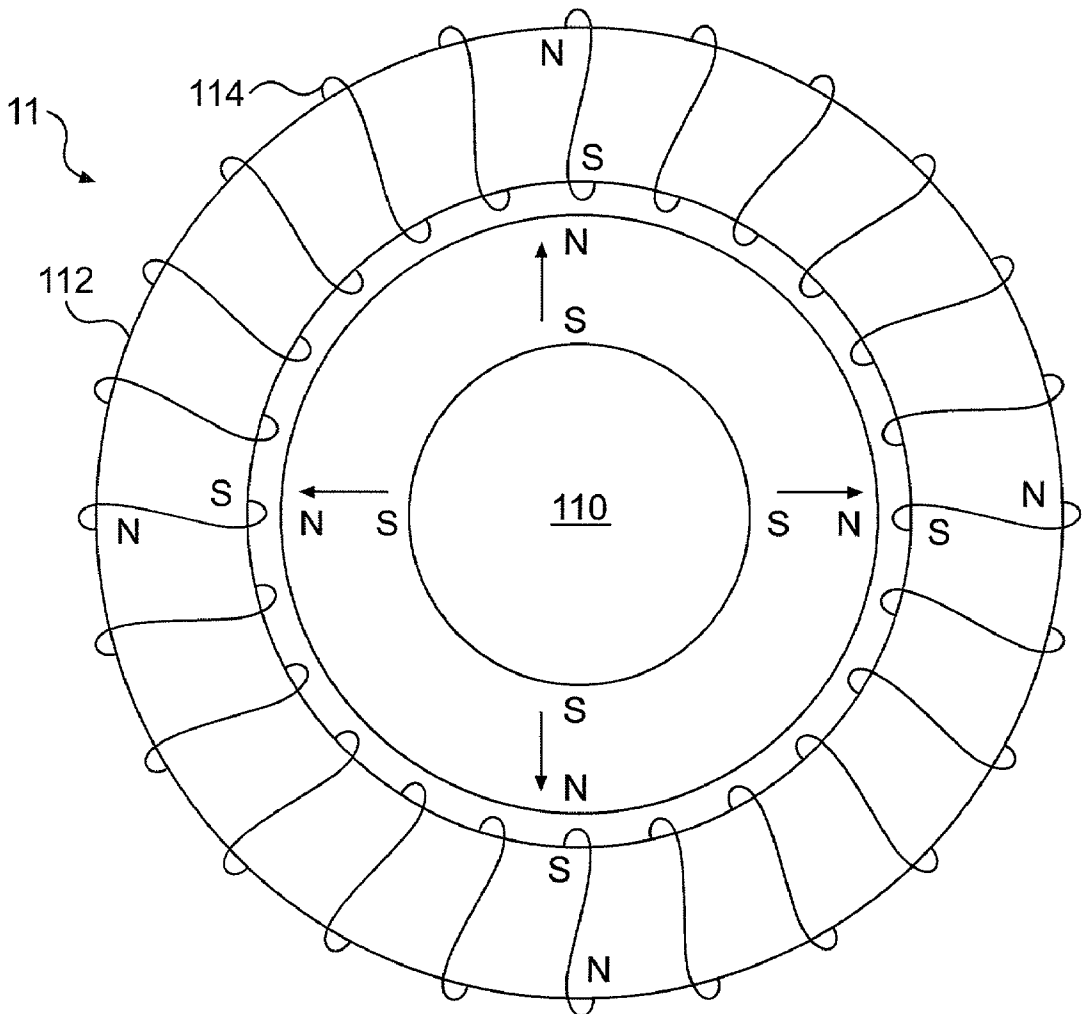


FIG. 11

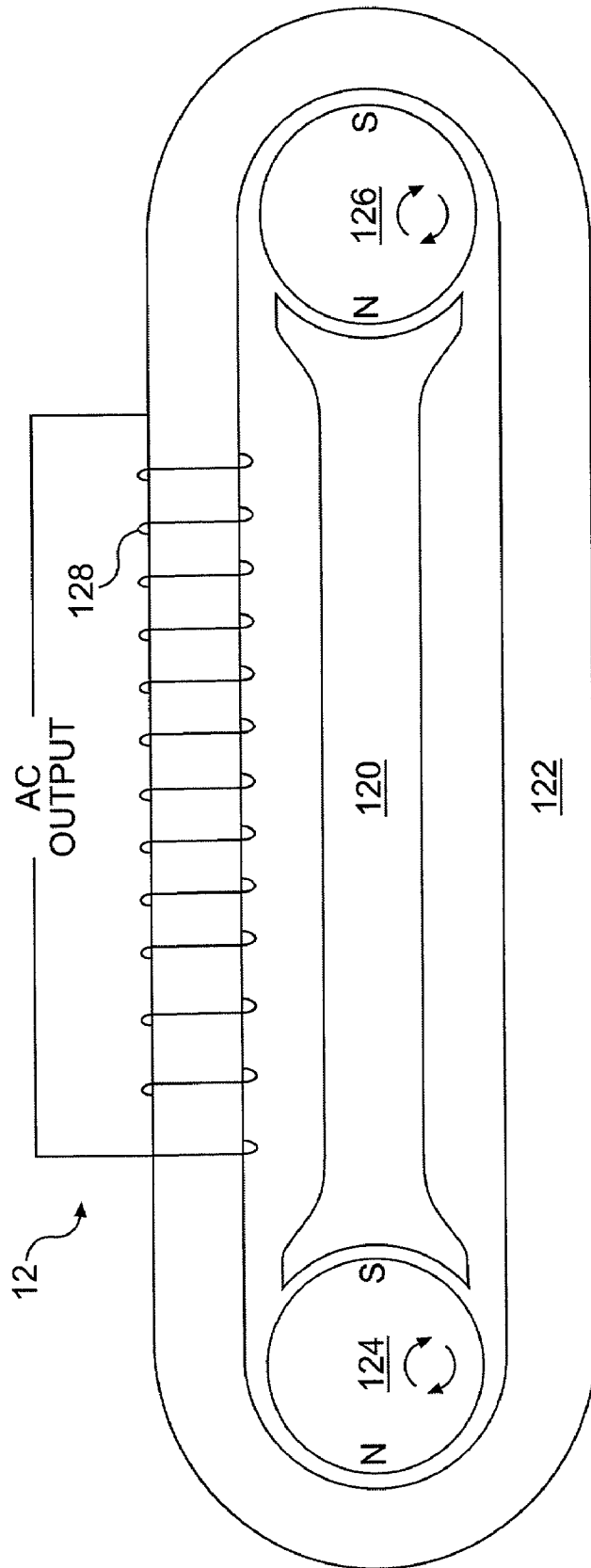


FIG. 12

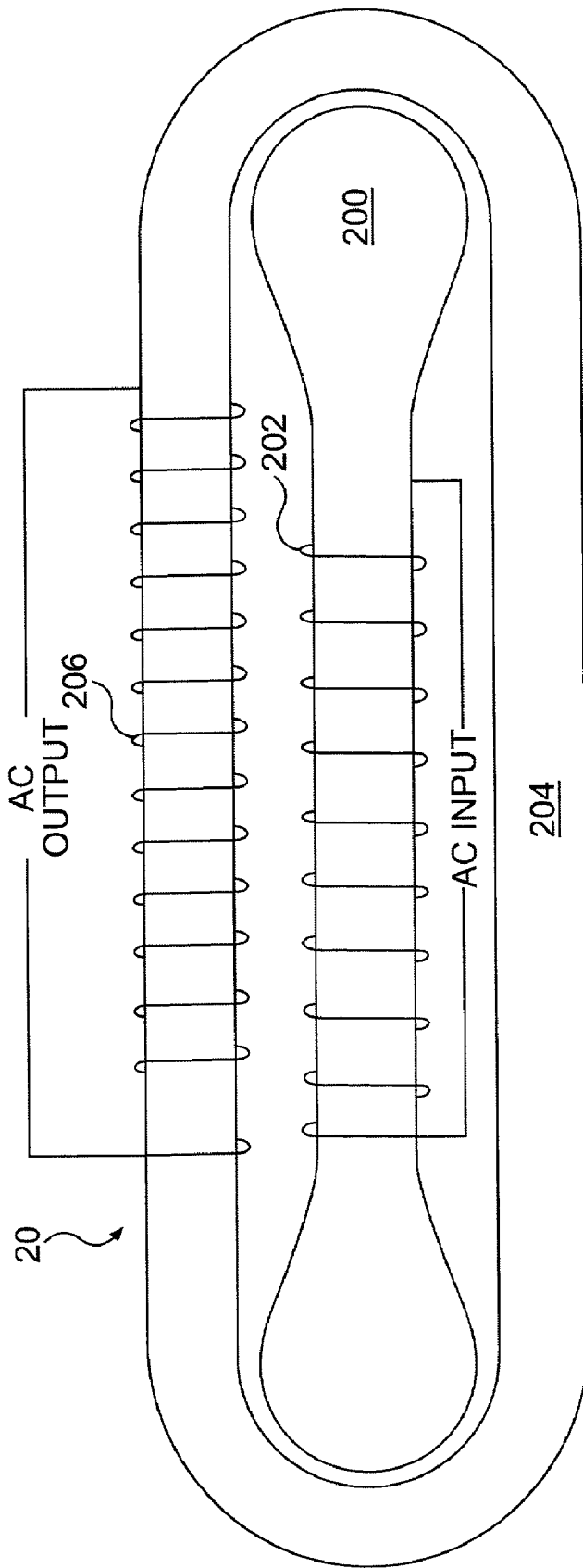


FIG. 13

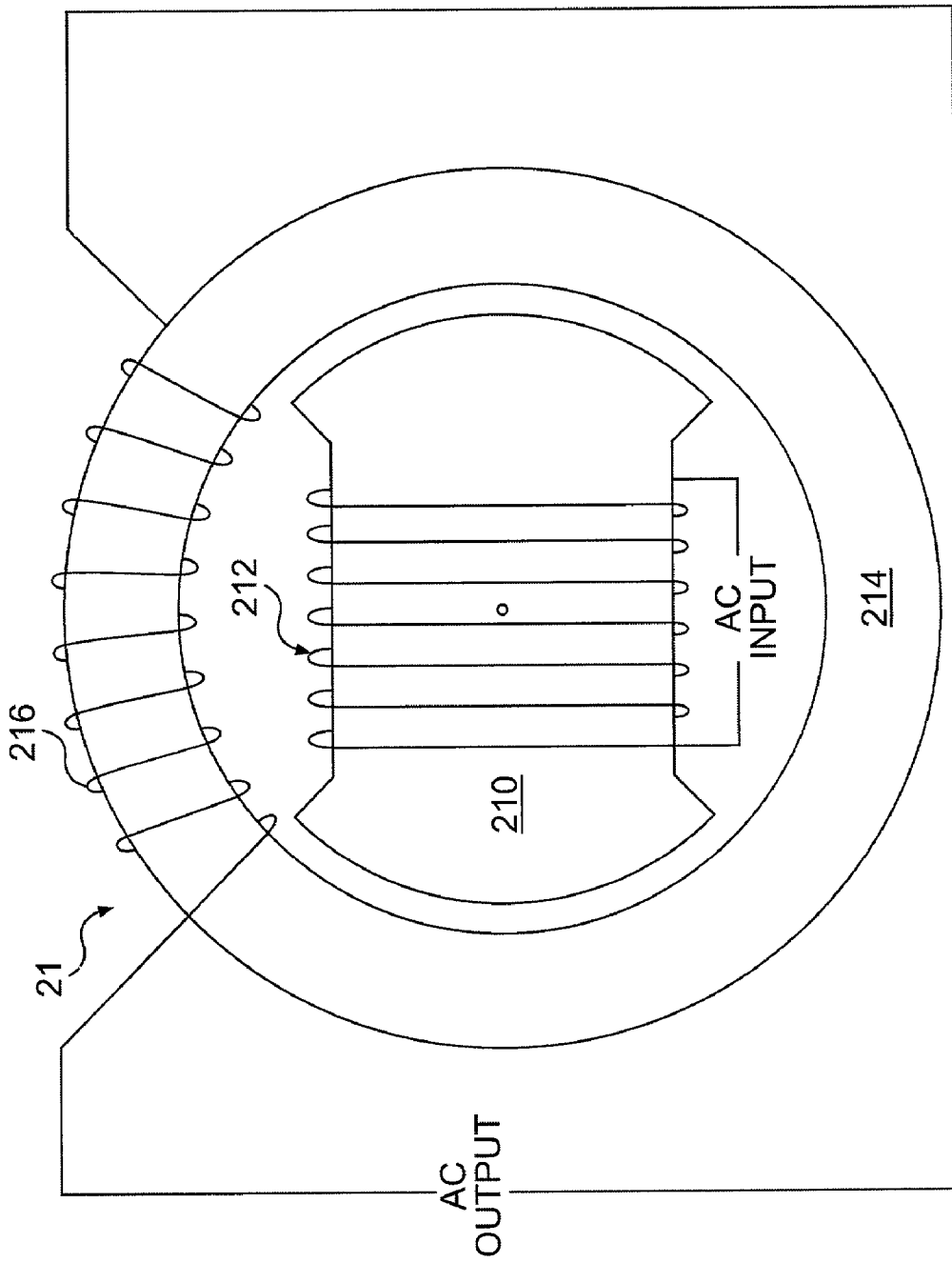


FIG. 14

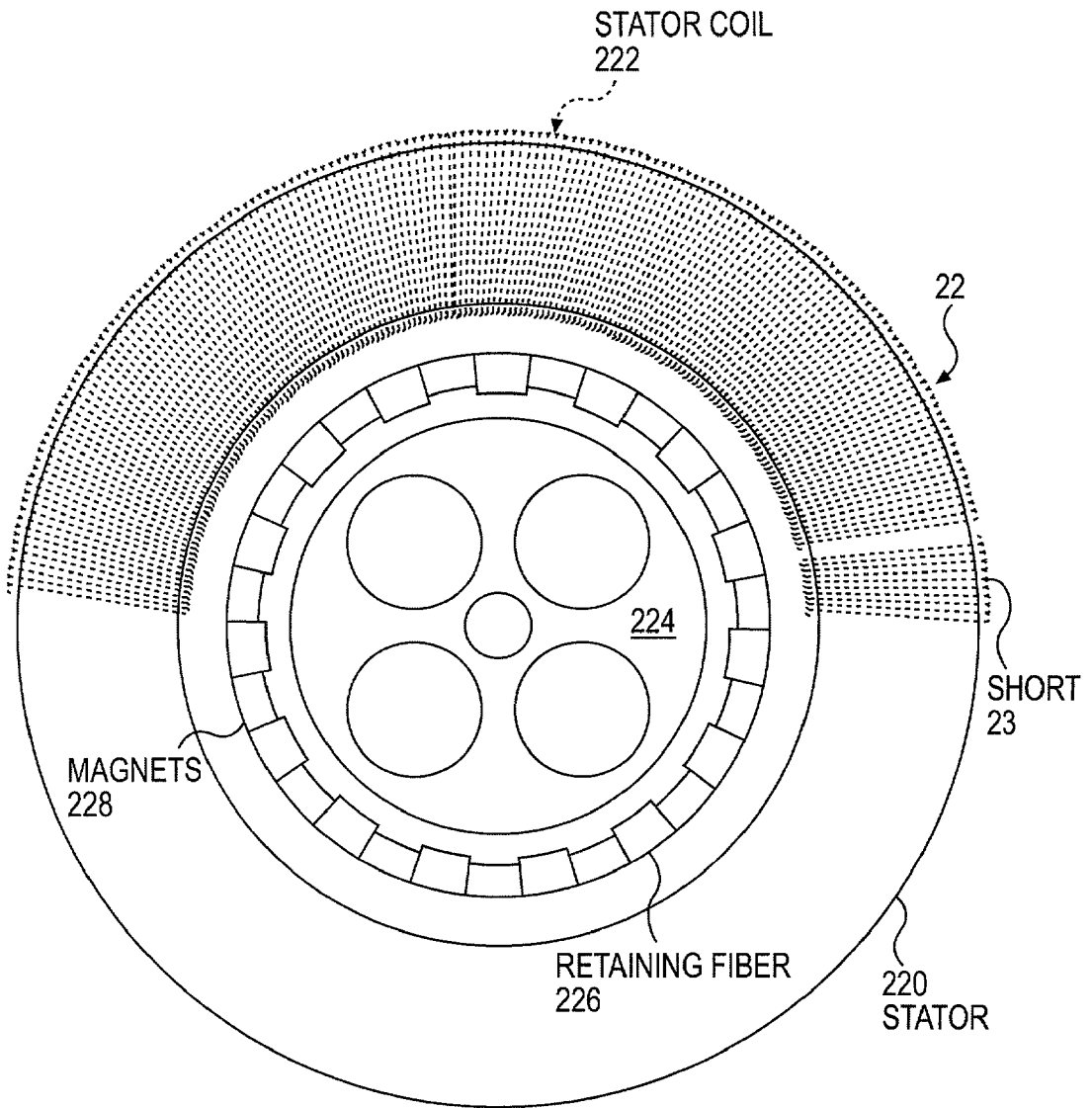


FIG. 15

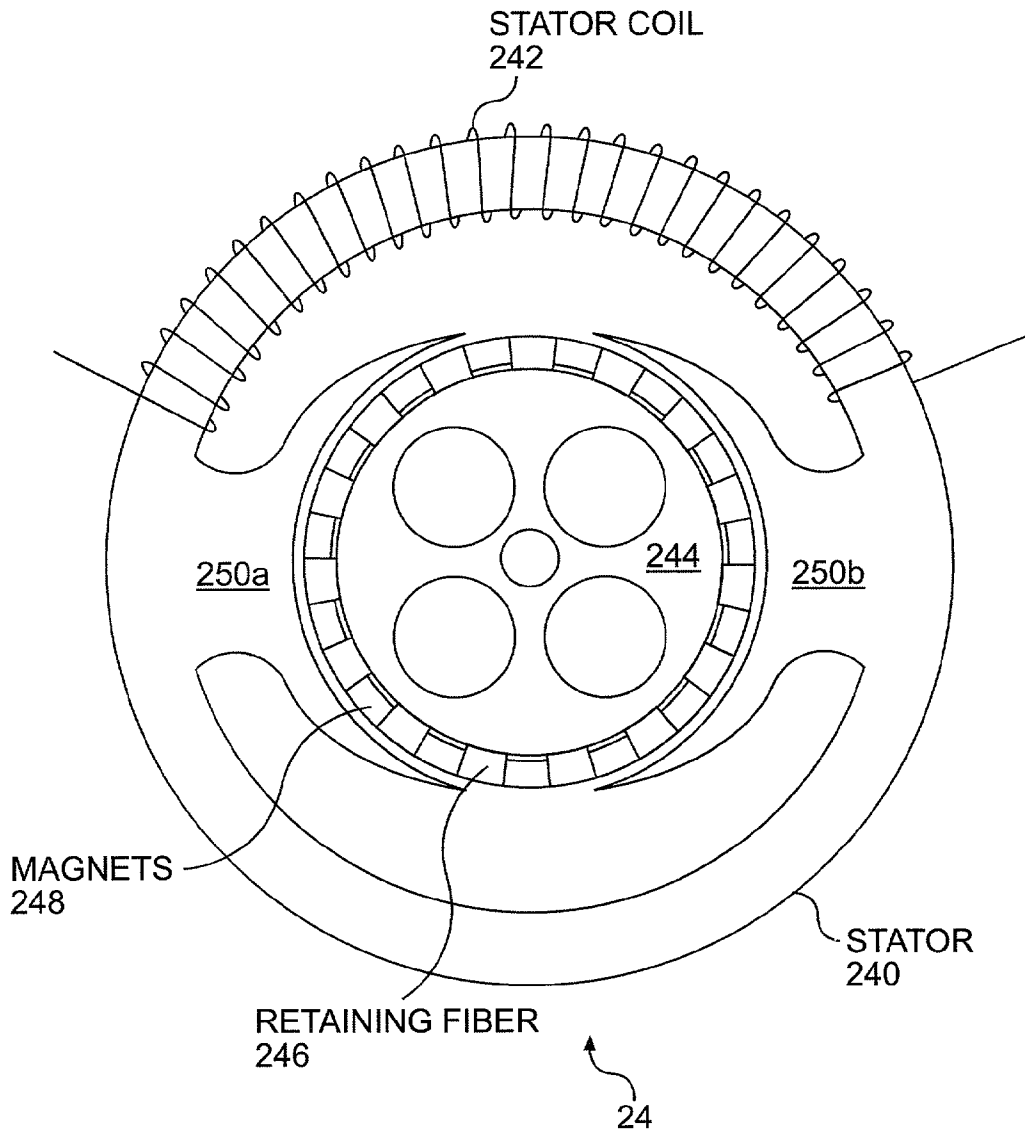


FIG. 16

GENERATORS AND TRANSFORMERS WITH TOROIDALLY WOUND STATOR WINDING

BACKGROUND OF THE INVENTION

[0001] 1. Field of the Invention

[0002] The present invention relates generally to electrical generators and transformers, and more particularly, to generators and transformers with very low levels of stator flux escaping the stator coil and interacting with the flux field generated by the rotor.

[0003] 2. Related Art

[0004] Electrical generators generate electricity by creating a relative motion between the magnetic flux of a rotor and a stator coil. **FIG. 1** is a diagram of a conventional single phase AC generator **1**. Rotor coil **10** produces a magnetic flux field when a D.C. voltage source (not shown) is connected to contacts **11**. The magnetic flux field moves across the stator coils **12** and generates a current flow. The coils are connected in series and an A.C. output is realized across the load **14**.

[0005] In the conventional generator illustrated in **FIG. 1**, magnetic flux fields are also generated by the stator coils **12**, due to the current flow. Some of the flux generated by the stator coils travels through the stator core **16**, and some flux generated by the stator coils leaks outside of the core. The stator flux field, outside of the stator core **16**, opposes the flux field generated by the rotor. The opposing flux fields create a counter torque which directly oppose the torque applied by the mechanical input to the rotor coil **10**. Because of this, the output capacity of the conventional generators is limited by the torque capacity of the rotor and the shaft used to transmit mechanical energy input to the rotor.

[0006] Therefore, there exists a need in the art for an electrical generator with an output capacity which is not limited by the torque capacity of the rotor.

SUMMARY OF THE INVENTION

[0007] In accordance with the invention, electrical generators are provided which, among other advantages, have outputs which are not limited by the torque capacity of their rotors and thus overcome the above-mentioned deficiencies in the art.

[0008] In one embodiment, the generator includes:

[0009] a stator; at least one stator winding toroidally wound about at least a portion of said stator, whereby said rotor produces a current in said at least one stator winding for generating an output; an input shaft; and

[0010] at least one inner rotor comprising at least one pole, said at least one inner rotor mounted on said input shaft for rotating said rotor, wherein said input shaft and said at least one rotor are located substantially within said stator and are movable relative to said stator.

[0011] In another embodiment, the generator includes:

[0012] toroidally wound stator windings electrically connected in series; a high permeability stator core, preferably

an amorphous magnetic alloy material, glassy metal or HYPERCO™ 50 laminations; and

[0013] a four pole inner rotor having two north poles directly across from each other and two south poles directly across from each other.

[0014] In a preferred embodiment, the generator also includes an outer rotor having its poles aligned with the poles of the inner rotor.

[0015] In an alternative embodiment, the inner rotor has six poles and the stator core has three stator coils.

[0016] In yet another embodiment, the inner rotor has two poles and the stator core has a single coil wrapped around a portion of the stator core.

[0017] An additional embodiment employs three rotors combined on a single shaft to produce a three phase output.

[0018] In a D.C. generator embodiment, the rotor is radially magnetized and permanent magnets are attached to the stator core.

[0019] In another D.C. embodiment, the rotor has commutating coils connected to a switching circuit operated so that the flux fields leaving the rotor are always traveling in the same direction across the stator coils.

[0020] The high efficiency of the generator of the present invention makes it desirable for use in a wide range of electrical generation equipment, including portable electrical generating equipment.

BRIEF DESCRIPTION OF THE DRAWINGS

[0021] **FIG. 1** is a schematic diagram of a conventional A.C. electrical generator.

[0022] **FIG. 2A** is a schematic diagram of an A.C. toroidally wound stator generator with two stator coils and a four pole rotor, in accordance with a preferred embodiment of the invention.

[0023] **FIG. 2B** is a schematic diagram of an A.C. toroidally wound stator generator with two stator coils and two rotors, each having four poles, in accordance with a preferred embodiment of the invention.

[0024] **FIG. 3** is a schematic diagram of an A.C. toroidally wound stator generator with three stator coils and a six pole rotor, in accordance with another preferred embodiment of the invention.

[0025] **FIG. 4** is a schematic diagram of an A.C. toroidally wound stator generator with a single stator coil and a two pole rotor in accordance with a preferred embodiment of the invention.

[0026] **FIG. 5** is a view of a rotor used in a three-phase toroidally wound stator generator in accordance with another embodiment of the invention.

[0027] **FIG. 6** is a schematic diagram of a D.C. toroidally wound stator generator with permanent magnets attached to the stator core.

[0028] **FIG. 7** is a schematic diagram of a D.C. toroidally wound stator generator having a rotor formed of electromagnets.

[0029] FIG. 8 is a schematic diagram of an A.C. toroidally wound stator generator with two stator coils and a four pole rotor in accordance with a preferred embodiment of the invention.

[0030] FIG. 9 is a schematic diagram of an A.C. toroidally wound stator generator with three stator coils and a six pole rotor in accordance with a preferred embodiment of the invention.

[0031] FIG. 10 is a schematic diagram of an A.C. toroidally wound stator generator with a single stator coil and a two pole rotor in accordance with a preferred embodiment of the invention.

[0032] FIG. 11 is a schematic diagram of a D.C. toroidally wound stator generator in accordance with another preferred embodiment of the invention.

[0033] FIG. 12 is a schematic diagram of an A.C. toroidally wound stator two-pole two-rotor generator in accordance with a preferred embodiment of the invention.

[0034] FIG. 13 is a schematic diagram of a transformer in accordance with a preferred embodiment of the invention.

[0035] FIG. 14 is a schematic diagram of a transformer in accordance with another preferred embodiment of the invention.

[0036] FIG. 15 is a schematic diagram of a toroidally wound stator A.C. generator in accordance with a preferred embodiment of the invention.

[0037] FIG. 16 is a schematic diagram of a toroidally wound stator A.C. generator in accordance with a preferred embodiment of the invention.

DESCRIPTION OF THE PREFERRED EMBODIMENTS

[0038] FIG. 2A shows a first embodiment of an electrical generator 2, in accordance with the present invention. A prime mover (not shown) rotates the rotor 20 and establishes a rotating magnetic field. The rotor has two north poles and two south poles arranged such that the poles substantially aligned directly across from each other are the same polarity. Because the stator coils 22 are spaced farther from the rotor 20 than in a conventional generator, as shown in FIG. 1, the rotor must be capable of providing a high flux density across a larger air gap. A suitable high flux material is disclosed in U.S. Pat. No. 5,635,889, to Stelter, the disclosure of which is hereby incorporated by reference. In an alternative embodiment, the rotor is formed with commutating windings which are connected to a switching circuit to provide a rotating magnetic field without any moving parts.

[0039] The relative motion of the magnetic field generated by the rotor 20, with respect to the stator coils 22, creates a current flow in the stator coils and an A.C. output across the load 24. Stator coils 22 are toroidally wound around the stator core 26. The number of turns and type of material used for the stator coils 26 are determined based on the desired application. Such determinations are well known to those of ordinary skill in the art. In a preferred embodiment, the conductors forming the stator coils are made out of superconducting material. Toroidally winding the stator coils 22 eliminates the need for slots in the stator assembly and the

associated problem of inserting windings in the narrow slot openings on the inside diameter of the stator.

[0040] The stator coils 22 also create a magnetic field when current is flowing through them. Because the stator coils 22 are electrically connected in series and the rotor 20 is configured such that poles of the same polarity move across the coils at the same time, the current flow within the stator coils 22 causes the magnetic flux fields within the core 26 to aid one another. The flux paths within the stator core 26 alternate in synch and travel in the same direction.

[0041] The stator core 26 is formed of a magnetic material with minimum power loss. Preferable structures include laminates of nickel, iron and zinc or a suitable powder metal matrix. Nickel-iron alloys are also preferable because of their high permeability and low hysteresis losses. Amorphous magnetic alloy materials, glassy metals, and HYPERCO™ 50 laminations are even more preferable stator core 26 materials because of their ability to reduce eddy currents to an acceptable level.

[0042] The toroidally wound stator coils 22 and the stator core 26 trap essentially all of the flux fields generated by the stator coils within the stator core. Since there is essentially no magnetic field leaving the stator 26, there is substantially no flux field interaction with the field generated by the rotor 20. The elimination of flux field interaction also eliminates counter torque. Therefore, the output capacity of the generator of the invention is limited by the current carrying capacity of the stator coils 22 and not the torque capacity of the rotor 20 as in the prior art. However, the torque capacity of the rotor 20 must be sufficient to overcome the losses due to friction and any minor counter torque due to minor flux leakage from the stator core 26 since some minor amount of flux leakage may occur.

[0043] A preferred embodiment of a single phase A.C. generator is illustrated in FIG. 2B. Generator 5 is similar to generator 2, shown in FIG. 2A. Like elements are labeled the same throughout the several views. Generator 5 differs from generator 2 in that it includes an outer rotor 28. The poles of the outer rotor 28 are aligned with the poles of the rotor 20. Rotors 20 and 28 are synchronized to rotate together so that their flux fields aid one another. Generator 5 also traps essentially all of the flux fields generated by the stator coils 22 within the stator core 26, with the resultant elimination of counter torque on rotor 20 due to flux from stator coil 26.

[0044] The present invention is not limited to A.C. generators having four poles and two stator coils. FIG. 3 illustrates an alternative embodiment of a single phase A.C. generator 3 in accordance with the present invention. Referring to FIG. 3, a six pole rotor 30 having three north poles and three south poles is located within the stator core 36. Three toroidally wound stator coils 32 are wrapped around the stator core 36. Generator 3 operates according to the same principles as generator 2. The difference is that the A.C. output across the load 34 has a higher frequency and amplitude than the output across the load 24, shown in FIG. 2A.

[0045] Another embodiment of a single phase A.C. generator 4 is illustrated in FIG. 4. Referring to FIG. 4, a two pole rotor 40 having a north pole and a south pole is located within the stator core 46. In this embodiment, a single

toroidally wound stator coil **42** is —wrapped around a portion of the—stator core **46**. Generator **4** also operates according to the same principles as generator **2**. The difference in this embodiment is that the A.C. output across the load **44** has a lower frequency and amplitude than the output across the load **24**, shown in **FIG. 2A**. Based on the teachings in this disclosure, one of ordinary skill in the art can optimize the number of rotor poles and stator coils for the frequency and amplitude desired.

[0046] The present invention is also not limited to single phase A.C. generators. **FIG. 5** illustrates a rotor assembly **50** having three rotors **52**, **54** and **56** combined on a single shaft **58**, for use in a three phase A.C. generator embodiment. Since the rotors **52**, **54** and **56** are aligned, the stator coils (not shown) must be successively displaced from each other by 120°. Like the other embodiments, the stator coils are toroidally wound around the stator core (not shown). The stator coils are wired in either a conventional delta or wye configuration. In another embodiment, the stator coils are aligned and rotors **52**, **54** and **56** are successively displaced by 120°.

[0047] A first embodiment of a D.C. generator **6** is illustrated in **FIG. 6**. Rotor **60** is radially magnetized with an outer north pole and an inner south pole. The rotor **60** produces flux fields **67** which cut across stator coils **62**. Like the other embodiments, the stator coils **62** are toroidally wound around stator core **66**. The flux fields **67** cross the stator coils **62** in the same direction at all times, as indicated in **FIG. 6**, and create a current flow in the stator coils **62**. Because the flux fields **67** cross the stator coils in a single direction, a D.C. output is created across load **64**. Permanent magnets **68** are necessary to provide a return path for the flux fields **67**. In another preferred embodiment (not shown), the permanent magnets are placed with the stator core, along either the edge of the stator core closest to the rotor or the edge farthest from the rotor.

[0048] The current flow in the stator coils **62** also produces a magnetic field. Like the other embodiments, the toroidally wound stator coils **62** and the stator core **66** trap essentially all of the flux fields generated by the stator coils within the stator core. Since no flux field leaves the stator core **66**, there is no flux field interaction with the flux field **67** created by the rotor **60** and therefore no counter torque.

[0049] Another embodiment of a D.C. generator **7** is illustrated in **FIG. 7**.

[0050] Rotor **70** includes four slots **78** which have commutating coils (not shown) wrapped around. A switching circuit (not shown) controls the direction of current through the commutating coils, as the rotor **70** rotates, so that flux fields leaving the rotor **70** are always traveling in the same direction across the stator coils **72**. It is preferred that the commutating coils are switched such that north poles of the rotor **70** are always across from the stator coils **72**, as shown in **FIG. 7**.

[0051] The flux fields cross the stator coils in a single direction which results in a D.C. output across load **74**. Generator **7** also has the stator coils **72** toroidally wound around stator core **76**. Counter torque is eliminated due to the lack of flux field interaction, as described in the previous embodiments.

[0052] Another embodiment of the invention is shown in **FIG. 8**. Generator **8** includes a rotor **80** is located within a

stator core **82**. Rotor **80** has two north poles and two south poles arranged such that the poles of the same polarity are substantially aligned directly across from each other. Stator core **82** has an inner periphery provided with four inner slots **84**. Two stator windings **86** are wound around two of inner slots **84**. This generator operates according to the same principles of the generator shown in **FIG. 2A** except that it produces a different A.C. output. Based on the teachings in this disclosure, one of ordinary skill in the art can optimize, for example, the number of inner slots, stator windings, and poles for the output desired. This embodiment permits a greater amount of stator windings **86** per unit area while maintaining a relatively large air gap between rotor **80** stator core **82**.

[0053] **FIG. 9** illustrates another embodiment of the invention. A generator **9** has a six pole rotor **90** located within a stator core **92**. Rotor **90** has an outer periphery including six outer slots **94**. Similarly, stator core **92** has an inner periphery which includes six inner slots **96**. Three stator windings **98** are wound around three of the six inner slots **96** of the stator core **92**. As with the embodiments described above, one of ordinary skill in the art can optimize the A.C. output by varying, for example, the number of inner and outer slots, stator windings, or poles. Generator **9** also provides for a greater amount of stator windings **98** per unit area while maintaining a relatively large air gap between rotor **90** stator core **92**.

[0054] Another preferred embodiment is illustrated in **FIG. 10**. A generator **10** includes a stator core **104** having a substantially oval configuration. A two pole rotor **100** and a rotor core **102** are located within stator core **104**. Rotor **100** is positioned adjacent one end of stator core **104**. Rotor core **102** includes two ends, one of which is placed adjacent rotor **100** and has a shape substantially similar to rotor **100**, and the other end having a shape substantially similar to the end of stator core **104** opposite rotor **100** and adjacent stator core **104**. A stator winding **106** is wound about a portion of stator core **104**. Preferably, stator winding **106** is wound substantially around a center portion of stator core **104**. As with the above embodiment, one of ordinary skill in the art may produce a desired result by, for example, changing the number of stator windings or rotors. Furthermore, an increased amount of stator windings **106** per unit area may be provided while maintaining a relatively large air gap between rotor **100** stator core **104**.

[0055] **FIG. 11** illustrates another embodiment of a DC generator. In this embodiment, generator **11** includes a radially magnetized rotor **110** within a radially magnetized stator core **112**. Stator windings **114** are toroidally wound about stator core **112**. The polarity of rotor **110** and stator core **112** may depend on the direction of the rotation of rotor **110**. One of ordinary skill in the art may produce a desired result by, for example, providing an additional outer rotor or stator winding.

[0056] **FIG. 12** shows a two-pole two-rotor embodiment of the invention. A generator **12** has a rotor pole **120** positioned within a stator **122**. Rotors **124** and **126** are located at each end of rotor pole **120**. The ends of rotor pole **120** are of a shape substantially equivalent to rotors **124** and **126**. A stator coil **128** is toroidally wound about at least a portion of stator **122**. Rotors **124** and **126** rotate such that the poles of each rotor are in synch. As the north pole of rotor

124 becomes aligned with rotor pole **120**, the south pole of rotor **126** becomes aligned with rotor pole **120**. This maintains a completed path for the magnetic flux field of the entire system.

[0057] The invention may also be used as a transformer. Self-synchronous devices are known. A self-synchronous device has a primary winding which is used as a field winding for a rotor. The device has the appearance of a wound-rotor three-phase induction motor. The device may be used as a differential synchro and normally operates as a single-phase transformer with a stator as the secondary. Thus, although designed as a three-phase induction motor, the device is operated as a transformer when used as a differential synchro. The same can be said of the instant invention in that the generator, although designed as an electrical generator, may be operated as a single-phase transformer. In this configuration, the rotor is static and a wound rotor has applied an alternating or AC input creating the required time rate change of magnetic flux needed to induce a current into the secondary or stator winding. There is a lack of reflected impedance in this type of transformer which is analogous to the lack of counter torque for the generator embodiment of the invention.

[0058] FIG. 13 illustrates a transformer in accordance with one embodiment of the invention. A transformer **20** includes a primary core **200** having a primary coil **202** toroidally wound thereon. Primary core **200** is located within a secondary core **204**. Secondary core **204** has a secondary coil **206** toroidally wound about at least a portion thereof. Due to the arrangement of primary coil **202** and secondary coil **206**, the flux field produced by secondary coil **206** is trapped and therefore, reduces the amount of reflected impedance. Because primary core **200** does not rotate as in a generator, the air gap between primary core **200** and secondary core **204** may be reduced.

[0059] Another transformer embodiment is illustrated in FIG. 14. A transformer **21** includes a primary core **210**. Primary core **210** includes a primary coil **212** toroidally wound about at least a portion thereof. A secondary core **214** has a secondary coil **216** toroidally wound thereon and is in a stretched toroidal core configuration. Secondary core **214** at least partially surrounds primary core **210**. As in transformer **20**, transformer **21** reduces the amount of reflected impedance because the magnetic flux field generated by secondary coil **216** is not linked to the flux field produced by primary coil **212**. One of ordinary skill in the art will recognize that modifications may be made to the transformer embodiments without changing the scope of the invention (e.g., varying the number of primary and secondary coils).

[0060] FIG. 15 illustrates an A.C. generator **22** comprising a stator **220** with toroidally wound stator coils **222**, a rotor **224**, and a retaining fiber **226** comprising a plurality of magnets **228**. Retaining fiber **226** preferably comprises a high tensile strength material (e.g., carbon fiber) that maintains contact between rotor **224** and magnets **228**.

[0061] A shorting coil **230** is wound about a portion of stator **220** and connected to itself. Shorting coil **230** may be used to increase the operational efficiency of generator **22**. Shorting coil **230** changes the operational point of generator **22** as shown on a graph plotting magnetic field intensity (H) versus flux density (B) (i.e., a B-H curve). The operational point is changed because the saturation level of stator **222**

increases with the application of the shorting coil and prevents the terminal voltage from dropping to unusable levels thus stabilizing the terminal voltage. Shorting coil **230** acts as a capacitor that creates a capacitive reactance that is in parallel with the inductive reactance of stator **220**. The capacitive reactance of shorting coil **230** counters the inductive reactance of stator **220** and increases the operational efficiency of generator **22**.

[0062] The degree of change in the operational point of the generator may be partially based on the number of windings of shorting coil **230**. As the number of shorting coil windings increases, the greater the degree of change in the operational point. Additionally, current flow through shorting coil **230** may be adjusted by applying a series resistance thereto. Furthermore, a D.C. bias (either positive or negative) may be applied to shorting coil **230** to vary the operational characteristics of the generator as desired. Also, shorting coil **230** may be wound in a particular direction depending on a desired result.

[0063] It is to be understood that shorting coil may also be used in a D.C. generator. As shown in FIG. 15, stator coils **222** are wound around substantially half of stator **220**. In a D.C. generator embodiment, another stator coil **222** may be wound around substantially the remaining portion of stator **220**. One or more diodes may be connected to one or both stator coils **222** to extract either a positive or negative pulse from each stator coil **222**, thus creating a D.C. generator. Those of ordinary skill in the art will know when to extract either positive or negative pulses from stator coils **222** based on the intended use of the generator.

[0064] FIG. 16 illustrates an A.C. generator **24** in accordance with another embodiment of the invention. Generator **24** comprises a stator **240** having a stator coil **242** toroidally wound about at least a portion thereof and extended pole piece faces **250a**, **250b**, a rotor **244**, and a retaining fiber **246** comprising a plurality of magnets **248**. Extended pole piece faces **250a**, **250b** may be used to trap a greater amount of flux within stator **240**. As flux passes from stator **240** to rotor **244**, a portion of the flux may "cut" across stator coil **242**. Extended pole piece faces **250a**, **250b** may be used to guide flux from stator **240** to rotor **244**. Extended pole piece faces **250a**, **250b** operate to increase the amount of flux changes within generator **24** and reduce the amount of flux that cuts across stator coil **242**.

[0065] As described with reference to FIG. 15, stator **240** may also comprise stator windings wound about the unwound portion as shown in FIG. 16. Diodes may be provided in line with the windings to reduce the amount of flux escaping stator **240**. Additional stator windings may be used to produce a DC pulse output that may then be filtered and inverted to produce a desired frequency (e.g., 50 Hz, 60 Hz, etc.).

[0066] According to another embodiment of the invention, open portions of a rotor may be filled with magnetic material, preferably iron. Filling open portions of the rotor may assist in reducing undesirable flux leakage from the rotor. By trapping substantially all of the flux within the rotor, interaction between rotor and stator flux is reduced. In this manner, counter torque is reduced thereby increasing the overall efficiency of the device.

EXAMPLE

[0067] A prototype of this embodiment was constructed using a standard 10,000 watt gas-powered generator. The stator was removed from the generator and its housing. The stator windings were removed from the stator and rewound by hand using a No. 10 size copper wire with 180 winds wrapped in a toroidal fashion around approximately 180 degrees of the stator. Because the stator housing could not accommodate the toroidally wound stator windings, the housing was cut to remove the portions of the housing adjacent the stator windings. The stator was then reinstalled in the modified housing and re-attached to the gas powered generator. A standard 12 volt car battery was attached to the input of the rotor. A 12.92 volt input with 0.8 Amps was measured as the input to the rotor. The output was measured as 6.5 volts with a 40 Amp output. A series of input and output measurements were taken for various inputs and are listed in the following table.

Voltage In (Volts)	Voltage Out (Volts)	Current In (Amperes)
0	0	0
2	3.1	0.08
4	8.7	0.2
6	13.9	0.3
8	17.8	0.41
10	21.8	0.53
12	24.4	0.63
14	27.5	0.74
16	29.4	0.88
18	30.6	0.99
20	31.2	1.1
22	31.7	1.21
24	32.6	1.34
26	33.2	1.43
28	33.2	1.52
30	33.2	1.61
32	34.7	1.87
34	35.0	1.87
36	35.3	
38	35.6	2.2
40	35.9	2.28
42	35.6	2.33

[0068] Although the invention has been described in detail with respect to preferred embodiments thereof, it will be apparent to those skilled in the art that variations and modifications can be effected in these embodiments without departing from the spirit and scope of the invention. For example, the rotor magnets may be formed from either permanent magnets or electromagnets, the stator may have beveled edges for the stator windings, the directional rotation of rotor may be altered (e.g., by rotating the rotor ninety (90) degrees), or the windings may be electrically commutated to allow for more windings.

what is claimed is:

1. A generator comprising:

a stator;

an input shaft;

at least one inner rotor comprising at least one pole, said at least one inner rotor mounted on said input shaft for rotating said rotor, wherein said input shaft and said at least one rotor are located substantially within said stator and are movable relative to said stator; and

at least one stator winding toroidally wound about at least a portion of said stator, whereby said rotor produces a current in said at least one stator winding for generating an output.

2. The generator of claim 1, further comprising at least one outer rotor located substantially around said at least one stator and movable relative to said stator.

3. The generator of claim 1, wherein said at least one rotor comprises three or more poles and said three or more poles are spaced substantially equidistant from each other.

4. The generator of claim 1, wherein said stator comprises three or more stator windings and said three or more stator windings are spaced substantially equidistant from each other.

5. The generator of claim 1, further comprising a rotor core positioned within said stator.

6. The generator of claim 1, wherein said stator windings comprise substantially superconducting material.

7. The generator of claim 1, wherein said stator comprises a material selected from the group consisting of: a nickel-iron alloy, an amorphous magnetic alloy material, glassy metal, HYPERCO™ 50 laminations, and any combination thereof.

8. The generator of claim 1, further comprising at least one shorting coil wound about at least a portion of said stator.

9. A generator comprising:

a stator;

at least one stator winding toroidally wound about at least a portion of said stator;

one or more permanent magnets located adjacent said stator and spaced substantially equidistant from each other;

an input shaft; and

at least one rotor comprising an inner periphery and an outer periphery, said inner periphery comprising an inner pole and said outer periphery comprising an outer pole, said at least one rotor mounted for rotational movement on said input shaft, wherein said at least one rotor and said input shaft are located substantially within said stator and movable relative to said stator.

10. The generator of claim 9, wherein said stator windings comprise substantially superconducting material.

11. The generator of claim 9, wherein said stator comprises a material selected from the group consisting of: a nickel-iron alloy, an amorphous magnetic alloy material, glassy metal, HYPERCO™ 50 laminations, and any combination thereof.

12. The generator of claim 9, further comprising at least one shorting coil wound about at least a portion of said stator.

13. A generator comprising:

a stator;

at least one stator winding toroidally wound about at least a portion of said stator;

an input shaft; and

at least one rotor comprising an inner periphery and an outer periphery, said inner periphery comprising one or more inner poles and said outer periphery comprising one or more outer poles, wherein said at least one rotor

is mounted on said input shaft and said at least one rotor and said input shaft are located substantially within said stator and are movable relative to said stator.

14. The generator of claim 13, wherein said inner periphery comprises at least one inner slot.

15. The generator of claim 14, wherein at least one inner commutating coil is wound around said stator substantially through said at least one inner slot.

16. The generator of claim 14, wherein said outer periphery comprises at least one outer slot.

17. The generator of claim 16, wherein at least one outer commutating coil is wound around said stator substantially through said at least one outer slot.

18. The generator of claim 13, wherein said outer periphery comprises at least one outer slot.

19. The generator of claim 16, wherein at least one outer commutating coil is wound around said stator substantially through said at least one outer slot.

20. The generator of claim 13, wherein said stator windings comprise substantially superconducting material.

21. The generator of claim 13, wherein said stator comprises a material selected from the group consisting of: a

nickel-iron alloy, an amorphous magnetic alloy material, glassy metal, HYPERCO™ 50 laminations, and any combination thereof.

22. The generator of claim 13, further comprising at least one shorting coil wound about at least a portion of said stator.

23. A transformer comprising:

a primary core;

a primary coil toroidally wound about at least of portion of said primary core, whereby said primary coil is connected to an input;

a secondary core;

a secondary winding toroidally wound about at least a portion of said secondary core, whereby said secondary coil is capable of producing a second output; and

wherein said primary core is located substantially within said secondary core.

* * * * *